

**Key stage 3 mathematics 2006**

**Mental mathematics Test A**

**First name** \_\_\_\_\_

**Last name** \_\_\_\_\_

**School** \_\_\_\_\_

**Total marks**

**Practice question**

		37	
--	--	----	--

**Time: 5 seconds**

<b>1</b>			
----------	--	--	--

<b>2</b>		300	
----------	--	-----	--

<b>3</b>		9	
----------	--	---	--

<b>4</b>	mm		
----------	----	--	--

<b>5</b>		-2	
----------	--	----	--

<b>6</b>			
----------	--	--	--

**Time: 5 seconds continued**

<b>7</b>		3.68	
----------	--	------	--

<b>8</b>		$10y^2 - 3y^2$	
----------	--	----------------	--

**Time: 10 seconds**

<b>9</b>	Right		
	Wrong		
pupils			

<b>10</b>	cm		
-----------	----	--	--

<b>11</b>	13					
	$\frac{1}{8}$	$\frac{1}{4}$	$\frac{1}{3}$	$\frac{1}{2}$	$\frac{3}{4}$	

<b>12</b>			
-----------	--	--	--

<b>13</b>		$2x - 8$	
-----------	--	----------	--

<b>14</b>	10cm : 2km		15cm	
	km			

<b>15</b>			
-----------	--	--	--

<b>16</b>	£	5%	£300
-----------	---	----	------

**Time: 10 seconds continued**

**17** 2cm by 8cm by 4cm  
 \_\_\_\_\_ cm<sup>3</sup>

**18** \_\_\_\_\_ m    £4.50    £27

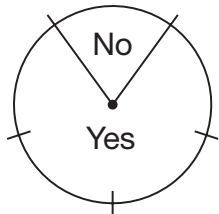
**19** \_\_\_\_\_ cm    8cm

**20** £ \_\_\_\_\_    1 : 3    £150

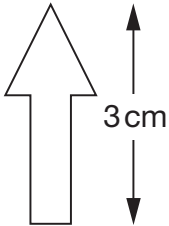
**21** \_\_\_\_\_  $y(y - 3)$

**Time: 15 seconds**

**22**  $27 \times 32 = 864$   
 $27 \times 16 =$

**23** \_\_\_\_\_ 

**24** \_\_\_\_\_ 50

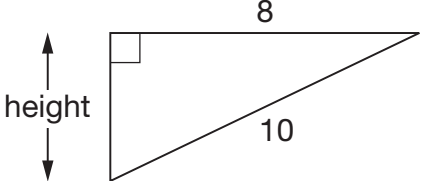
**25** \_\_\_\_\_ cm 

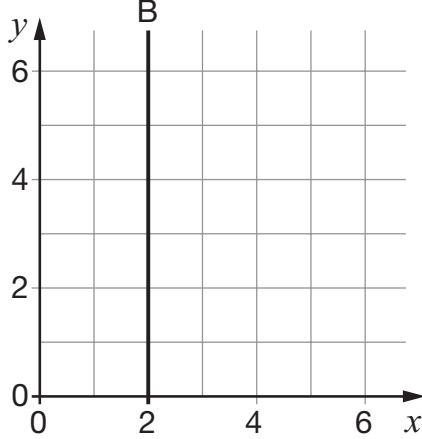
**Time: 15 seconds continued**

**26**

Number of milk bottles	Frequency
0	6
1	3
2	8
3	1
4	2

**27** \_\_\_\_\_  $\sqrt{40000}$

**28** 

**29** 

**30** \_\_\_\_\_  $9 \times 9$