

**Key stage 3 mathematics 2008**

**Mental mathematics Test A**

First name \_\_\_\_\_

Last name \_\_\_\_\_

School \_\_\_\_\_

Total marks

**Practice question**

		99	
--	--	----	--

**Time: 5 seconds**

<b>1</b>		42	
----------	--	----	--

<b>2</b>	8      4      7		
	4      9		

<b>3</b>		$4b + 5b$	
----------	--	-----------	--

<b>4</b>		0.1    4	
----------	--	----------	--

<b>5</b>		-2	
----------	--	----	--

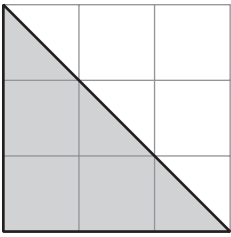
<b>6</b>		4.875	
----------	--	-------	--

**Time: 5 seconds continued**

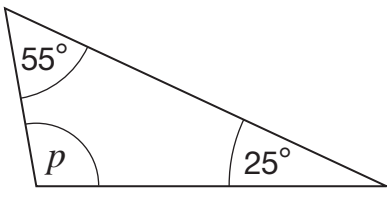
<b>7</b>		$y = 3x + 2$	
----------	--	--------------	--

**Time: 10 seconds**

<b>8</b>		300	
----------	--	-----	--

<b>9</b>			
	cm <sup>2</sup>		

<b>10</b>		40    50	
-----------	--	----------	--

<b>11</b>			
	°		

<b>12</b>		$a = 5b - 4$	
-----------	--	--------------	--

<b>13</b>		20%    6	
-----------	--	----------	--

<b>14</b>	miles	40mph	
-----------	-------	-------	--

<b>15</b>		20	
-----------	--	----	--

<b>16</b>		$3(a - 5)$	
-----------	--	------------	--

<b>17</b>		5.7	
-----------	--	-----	--

**Time: 10 seconds continued**

<b>18</b>	Colour	Probability	<input type="text"/> 18
	red	0.4	
	green	0.3	
	blue		

<b>19</b>	£	£1.20	<input type="text"/> 19
-----------	---	-------	----------------------------

<b>20</b>		$\frac{m^3}{m}$	<input type="text"/> 20
-----------	--	-----------------	----------------------------

**Time: 15 seconds**

**21**

21

<b>22</b>	$20 \times 38 = 760$	<input type="text"/> 22
	$21 \times 38 =$ <input type="text"/>	

**23**

23

**24**

24

people

**Time: 15 seconds continued**

**25**

25

cm

**26**

Televisions	Frequency
0	2
1	10
2	10
3	8

26

<b>27</b>	5 faces	<input type="text"/> 27
-----------	---------	----------------------------

<b>28</b>	$2\frac{3}{4}$	0.3	<input type="text"/> 28
-----------	----------------	-----	----------------------------

**29**

29

<b>30</b>	$8^2$	<input type="text"/> 30
-----------	-------	----------------------------