

Key stage 3 mathematics 2008

Mental mathematics Test B

First name _____

Last name _____

School _____

Total marks

Practice question

	99	
--	----	--

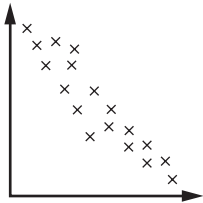
Time: 5 seconds

1		
----------	--	--

2	4.7, 4.8, 4.9, _____, _____	
----------	-----------------------------	--

3	$4pq$	
----------	-------	--

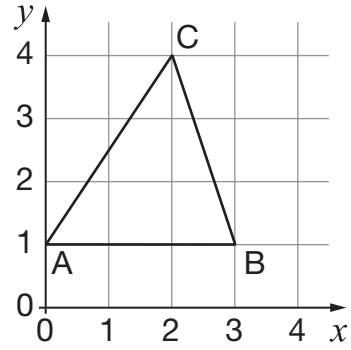
4	$\frac{7}{100}$	
----------	-----------------	--

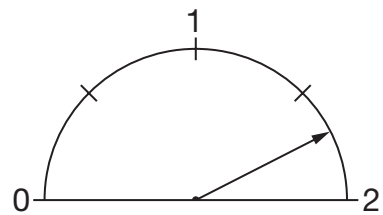
5		
	None Gradient High Positive Negative	<input type="text"/>

Time: 5 seconds continued

6	%	10 out of 25	
----------	---	--------------	--

Time: 10 seconds

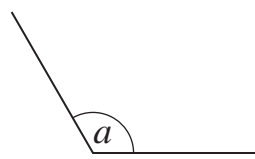
7		
	(,)	<input type="text"/>

8		
	<input type="text"/>	<input type="text"/>

9	£	£3.60	
----------	---	-------	--

10	mm	10cm	
-----------	----	------	--

11		2.9	
-----------	--	-----	--

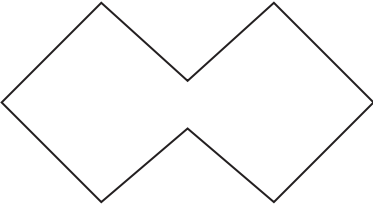
12		
	<input type="text"/>	<input type="text"/>

13	$\frac{1}{5}$	2	
-----------	---------------	---	--

14	148	
-----------	-----	--

Time: 10 seconds continued

15



15

16

	17 red 13 green
--	--------------------

16

17

	36
--	----

17

18

	$21 - 3x = 9$
--	---------------

18

19

2 cm	Scale factor 2
cm^2	

19

20

	$(x + 2)(x - 1)$
--	------------------

20

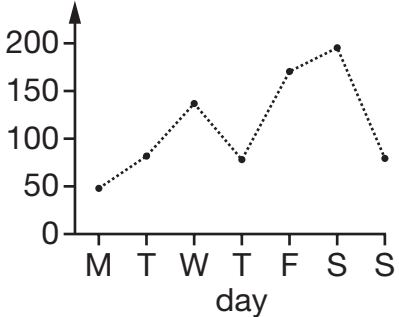
21

10cm^2	90cm^3
cm	

21

Time: 15 seconds

22



day

days

22

Time: 15 seconds continued

23

	<input type="text"/>
--	----------------------

23

24

	40p for 5 minutes
£	

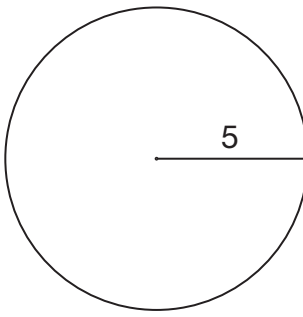
24

25

$\frac{3}{5}$	$\frac{4}{5}$	$\frac{5}{6}$	$\frac{6}{9}$	$\frac{7}{10}$
---------------	---------------	---------------	---------------	----------------

25

26



5

5π	10π	15π
25π	100π	

26

27

£	1 : 4 : 5
---	-----------

27

28

	$\frac{39.92 \times 41.06}{1.98}$
--	-----------------------------------

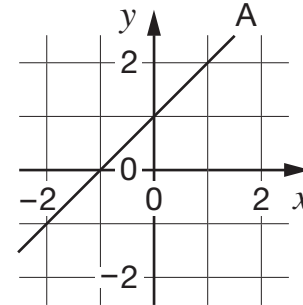
28

29

-20	80	40	_____
-----	----	----	-------

29

30



30