

Key stage 3 mathematics 2009

Mental mathematics Test B

First name _____

Last name _____

School _____

Total marks

Practice question

		39	
--	--	----	--

Time: 5 seconds

1	millimetres	kilometres	
		metres	
	centimetres	inches	

2		$8y + 3y$	
----------	--	-----------	--

3		6000	
----------	--	------	--

4		7.8	
----------	--	-----	--

5			
----------	--	--	--

6		0.3	
----------	--	-----	--

Time: 5 seconds continued

7		0.09	
----------	--	------	--

8			
----------	--	--	--

Time: 10 seconds

9		25p £2.50	
----------	--	-----------	--

10	Quarter to six	
	minutes	

11		13 14 15	
-----------	--	----------	--

12	Key: = 3 pupils		
	Apple		
	Banana		
	pupils		

13		$^{\circ}\text{C}$ 8°C	
-----------	--	--	--

14		%	
-----------	--	---	--

15		

Time: 10 seconds continued

16

No	Yes
----	-----

0% 100%

%

16

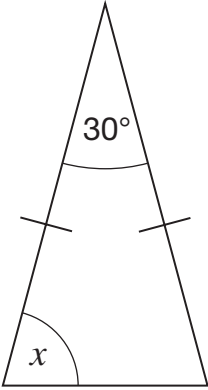
17

	cm	4cm
--	----	-----

17

18

°



18

19

	hours	18
--	-------	----

19

20

£		5%	£2
---	--	----	----


20

21

	$y = 3x - 7$
--	--------------

21

22



cm

22

23

	$3y(5 - y)$
--	-------------

23

Time: 15 seconds

24

_____ and _____

24

25

1cm : 2km	$7\frac{1}{2}$ cm	
km		

25

26

	65 83
--	----------

26

27

	$\frac{(3 + b)^2}{5}$
--	-----------------------

27

28

Number of children	Frequency
0	1
1	1
2	4
3	3
4	1

children

28

29

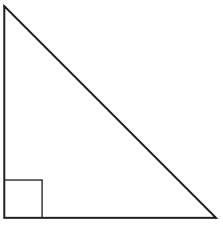
2 : 3 : 4

° ° °

_____, _____, _____

29

30



$\sqrt{6}$ $\sqrt{9}$ $\sqrt{12}$

$\sqrt{18}$ $\sqrt{27}$

30